



# Jump-starter battery

## 6FM12 (12V12Ah)

LONGWAY Jump-starter batteries are used for emergency start power supply, which can cope with various emergency situations. The series of batteries adopts thin sheet multi-board design, and the special lead paste formula improves the instantaneous high current (100-1000A) capacity of the battery, which can meet the requirements of automobile start-up in emergency situations. The products are UL, CE, RoHS certified and can be shipped by sea and air.



Features	Application
<ul style="list-style-type: none"> <li>·No free acid (Non-spillable battery)</li> <li>·Heavy Duty Grids</li> <li>·Long Service Life</li> <li>·The battery is designed for high current discharge</li> <li>·Maintenance free (no water topping-up required)</li> <li>·Can be used in any orientation (excluding used)</li> <li>·Low Self Discharge</li> </ul>	<ul style="list-style-type: none"> <li>·Jumpstarter</li> <li>·lawn mower start</li> <li>·car backup ignition</li> <li>·Generator start-up</li> <li>·Outdoor backup starting, lighting</li> <li>·And other cold starting equip</li> </ul>

**General:** Design for standby power applications

<b>Design Life:</b> Up to 5 years in standby service at	<b>Float Charging Voltage:</b> 13.5~13.8 VDC/Unit at 25°C
<b>Operating Temperature Range:</b> Nominal operating temperature: Discharge: -15°C~50°C Charge : -15°C~40°C Storage: -15°C~40°C	<b>Equalization Charging Voltage:</b> 14.4~15.0 VDC/Unit at 25°C  <b>Self Discharge:</b> Less than 10% after 90 days, can be stored up to 6 at 25°C; Fully recharge is required before usage



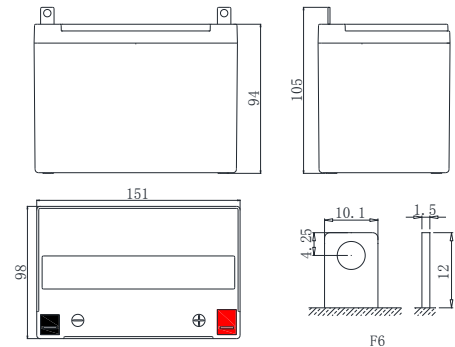
ISO9001: 2015

ISO14001:2015

ISO45001:2018

**Specifications:** Designed according with the IEC61056-1/2:2012

Nominal Voltage	12 V
Nominal Capacity	12.0Ah@20hr,25°C
Cold cranking Amp	240A (30sec) @ to 1.20Vper cell @-5°C
Weight	Approx. 3.45 ± 3% kg
Internal Resistance	Approx. 10.0mΩ @ full charged 25°C
Terminal	F6
Max. Discharge Current	350A (15sec) @ to 1.20Vper cell@25°C
Max. Charge Current	3.6A
Container Material	Standard: ABS (UL94-HB) Optional: Flame Retardant ABS(UL94-V0)



**Constant Current Discharge Characteristics (A, 25°C)**

F.V/TIME	5min	8min	10min	15min	20min	30min	60min	90min
9.60	595	443	353	296	231	179	99	71.3
9.90	585	436	344	297	226	175	98	70.6
10.2	576	428	331	283	216	171	95	68.8
10.5	558	415	323	279	214	166	92	68.4

**Starting Specification**

temperature	0°C	5°C	15°C	25°C	35°C	45°C
Cranking Amp	257	274	292	309	326	343
Time /FV 7.2V	≥30S	≥30S	≥30S	≥30S	≥30S	≥30S

Kaiying Power Supply & Electrical Equip Co.,Ltd

Add:Laogang Industrial Area,Chengxiang Town ,Anxi,Quanzhou, Fujian Province ,China

Tel: 0595-68782266 Fax: 0595-68782222

Website: <http://www.longwaybattery.com>

KY-IOP-HR12-12L B0. August 2023

Email:[sales@longwaybattery.com](mailto:sales@longwaybattery.com)

**NOTE:** This information is generally descriptive only and is not intended to make or imply any representation, guarantee or warranty with respect to any cells and batteries. Cell and battery designs/specifications are subject to modification without notice. Contact Long Way for the latest information.